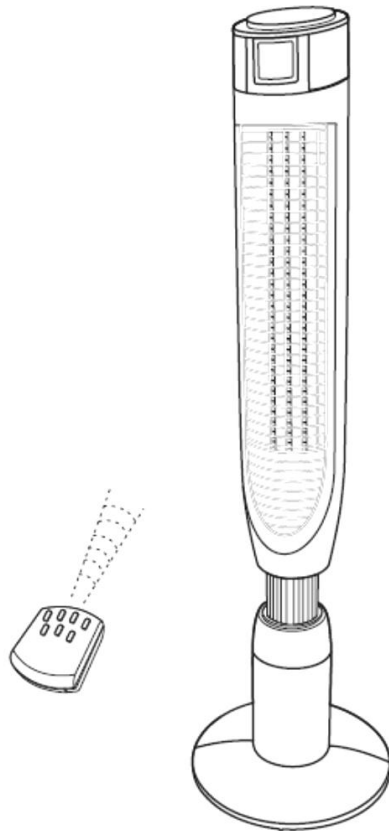




Instruction Manual



Model: ETF10R Tower Fan

Distributed in Australia by: **HONEYAIR**
Honeyair Australia Pty Ltd.
78 Mallard Way, Cannington WA 6107
P 1300 710 860 F 1300 710 890 E info@gbi.com.au



TABLE OF CONTENTS

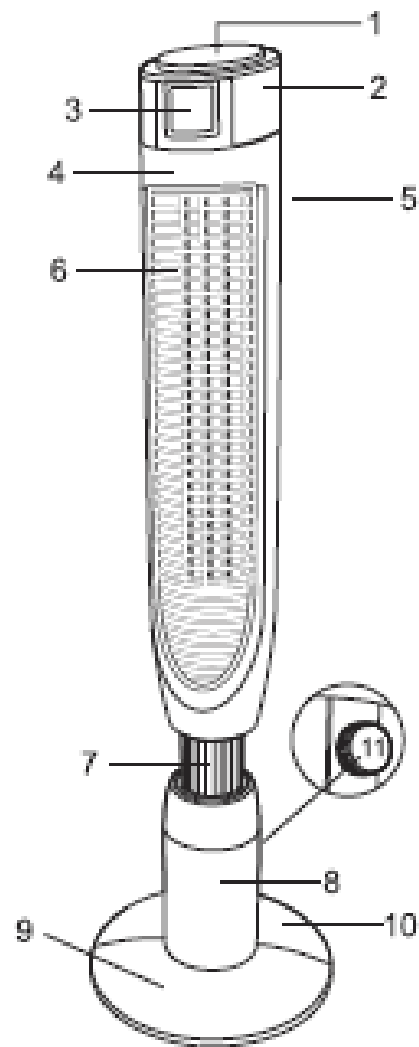
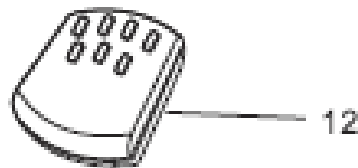
SAFETY PRECAUTION	PAGE 4
PARTS DESCRIPTION	PAGE 5
ASSEMBLY OF THE FAN	PAGE 6
OPERATION INSTRUCTION	PAGE 7-8
SPECIFIC FUNCTION	PAGE 9
REMOTE CONTROL OPERATION	PAGE 9
MAINTENANCE	PAGE 10
PRESERVATION	PAGE 10
SPECIFICATION	PAGE 11
CAUTION	PAGE 11

SAFETY PRECAUTION

1. Read all instructions carefully before you use the appliance.
2. This fan can be used in tropical climates.
3. Remove the packages and ensure that the appliance is undamaged. In case of doubt do not use the fan and contact with your supplier.
4. Do not let children play with parts of the packages (such as plastic bags).
5. Before plugging to the socket, check that if the voltage of your main supply matches the voltage marked on the rating label of the appliance.
6. Before assembling or dismantling the fan, must sure that the fan is unplugged.
7. Before unplugging the power cord, be sure to turn off the power.
8. Do not insert any object into the guard while the fan is operating, IT WILL CAUSE INJURY
9. Do not use the fan at the high humidity area, temperature higher than 40°C area or dusty area. Do not use the fan where acid or alkali is stored.
10. Do not hang any clothes or garment on the fan guards.
11. Do not use the fan outdoors.

PARTS OF DESCRIPTION

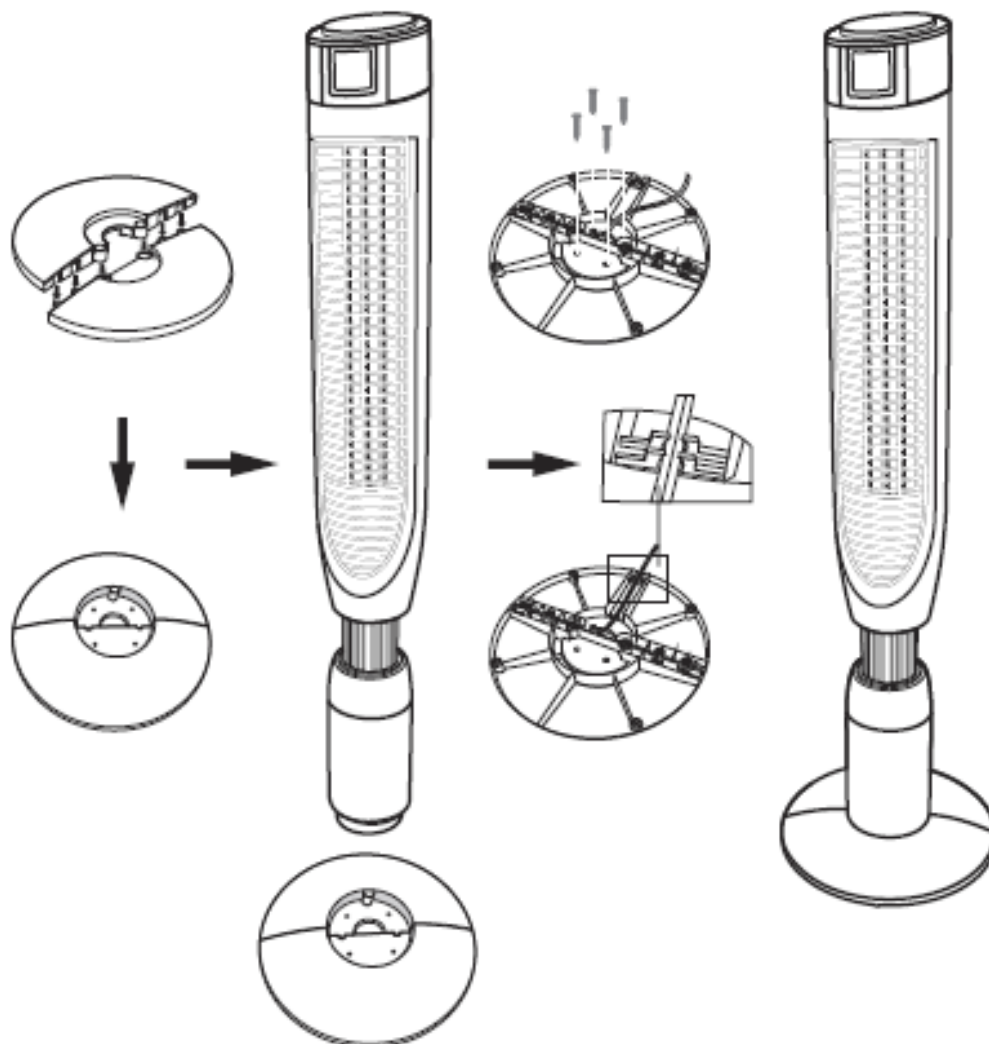
- 1.Dustproof cover
- 2.Cover board
- 3.LCD
- 4.Front cover
- 5.Rear cover
- 6.Wheel
- 7.Extension tube
- 8.Base tube
- 9.Front base
- 10.Rear base
- 11.Screw
- 12.Remote Control



Loose the screw on the base tube ,then you can adjust the height to you need

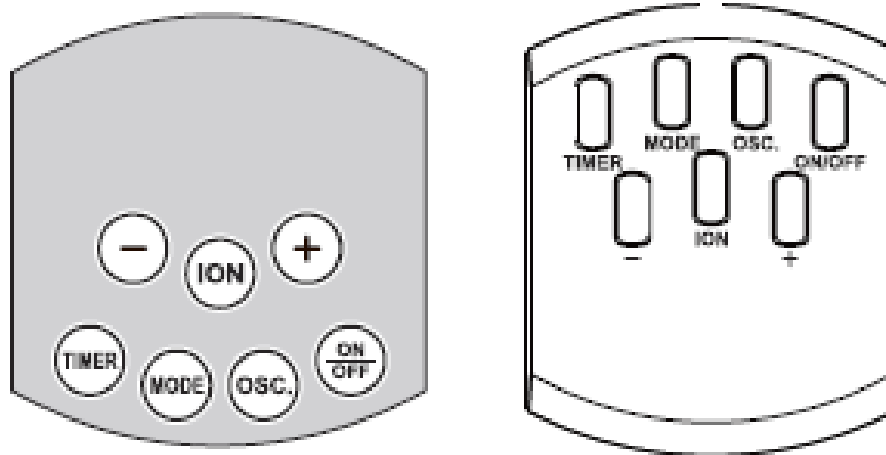
ASSEMBLY OF THE FAN

1. Make sure the holes of front base correspond with the rear base, and then press them in downward to make them fit for each other.
2. Let the power cord through the hole of the base; then insert the stand into the base.
3. Rotate the base clockwise and fasten the screw to make sure the main and the base connect firmly, let the power cord into the clip.



OPERATION INSTRUCTION

The fan can be controlled by pushing the buttons, which be setting on control panel or remote controller.



- **ON/OFF** Press the button to operate the fan
- **OSC.** Press the button to oscillate in horizontal direction ,the first press can oscillate for 90°, the second one for 180°,and the third one for 360°. Press again to switch this function off. It will be indicated on the LCD as below;



OPERATION INSTRUCTION

- MODE** Press once to activate natural wind .Press twice to activate sleep wind. Press thrice to deactivate the function. The function will be indicated by the illuminated light on the set.

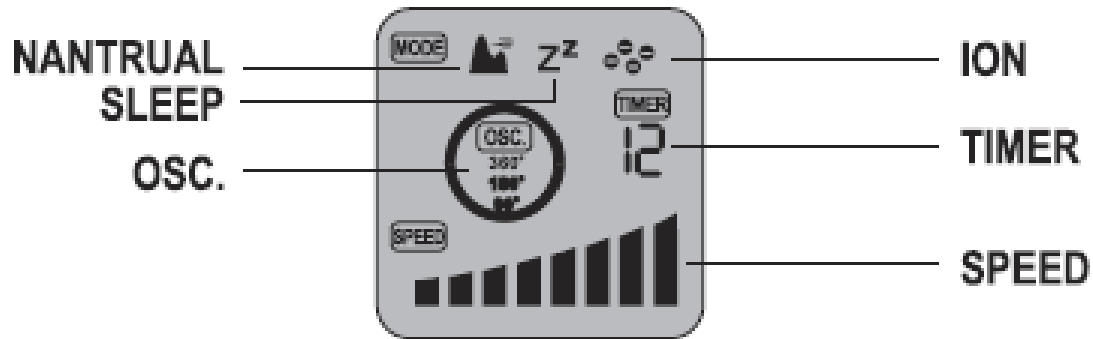


- TIMER** Press the button to set the required timing. The timer can only set to the maximum of 12 hours. Press thirteen times to deactivate the function. The reset time will be indicated by the illuminated light on the set.

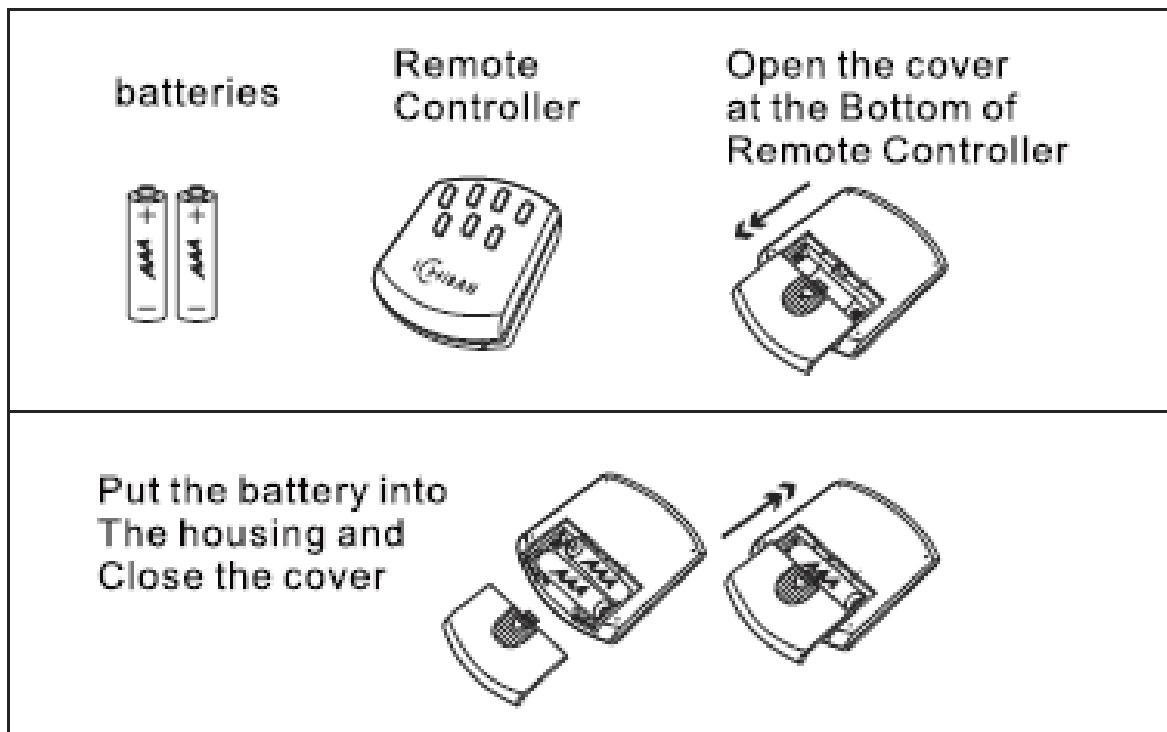


- Ion** Press the button to activate the ionizer. Press again to deactivate. - + Press the '-' or '+' button to adjust the speed of the fan. Press '+' to increase the speed and '-' to decrease the speed.

SPECIFIC FUNCTION



REMOTE CONTROLLER OPERATION INSTRUCTION



MAINTENANCE

BEFORE MAINTENANCE, REMOVE THE PLUG FROM THE SUPPLY SOCKET.

Do not let water get into the motor during the cleaning
Use a soft damp cloth to clean the fan on the surface, and then dry it.

Do not use the THINNER, ALCOHOL, OR OTHER CHEMICAL liquid to clean the fan.

PRESERVATION

After maintenance, please follow the following steps to keep the fan stored.

1. Remove the oil or dirty stains from the body to prevent the fan from damage
2. Follow assembly instructions in reverse order, get the fan back to the carton and store the fan at dry place.

SPECIFICATION

Model No	Voltage	Frequency	Output Power
EFT10R	220V	50Hz	40W

CAUTION

This appliance is for household use only. Any servicing other than cleaning and user maintenance should be performed by authorized service representative. Do not immerse the unit in water. To reduce the risk of fire or electric shock, do not remove the housing. No user serviceable parts inside. Only authorized service personnel shall handle repair work.

If the supply cord is damaged, it must be replaced by the manufacturer or its service agent or a similar qualified person in order to avoid a hazard.

For all warranty claims please return to place of purchase. If unit is deemed to be faulty it will be replaced during the 12 month warranty period.

Distributed in Australia by:



Honeyair Australia Pty Ltd.
ABN 86 008 764 341
78 Mallard Way, Cannington WA 6107
Phone 1300 710 860 Fax 1300 710 890
Email: info@ghi.com.au