

Excelair

46cm Pedestal Fan



Instruction Manual

Model EPF46

Important Safety Instructions

1. Read all instructions.
2. Disconnect the power plug before dismantling, assembling or before cleaning.
3. Avoid touching mobile parts of the fan.
4. Make sure the fan is on a dry and even surface.
5. Never insert fingers, pencils or any other objects through the guards whenever the power plug is connected, especially while running.
6. The appliance is not intended for use by young children or infirm persons unless they have been adequately supervised by a responsible person to ensure that they can use the appliance safely.
7. Young children or infirm persons should be supervised to ensure that they do not play with the appliance.
8. Do not use the appliance for any other purpose than its intended use.
9. The fan must not be used if the guards are not fastened according to instructions.
10. When the power cord is damaged, it must be replaced by the manufacturer or its service agent or a similarly qualified person in order to avoid a hazard.
11. Do not use your appliance with an extension cord unless it has been checked and tested by a qualified electrician or electrical supplier.

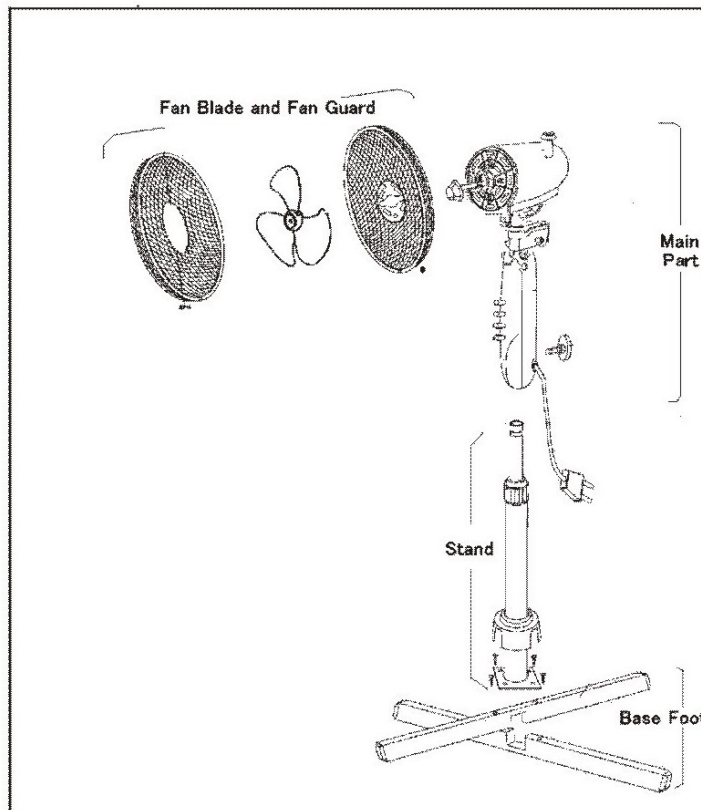
Read all instructions before using this unit. Keep them for future reference.

Specifications

Model	EPF46
Rated Voltage	220-240V / 50Hz
Watts	60W
Controls	Push Button
Dimensions (cm)	49.5 x 13 x 60.5

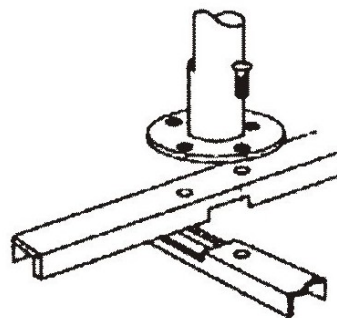
Settings	3 speed
Adjustable Height	Yes
Oscillation	80° oscillation
Warranty	1 year

Assembly Instructions



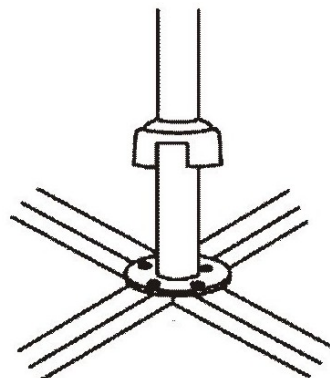
Your pedestal fan has been boxed unassembled to minimise packaging waste. Each part is designed to fit together and be disassembled easily for cleaning or storage.

Assemble the base to the support pole using the fasteners provided.



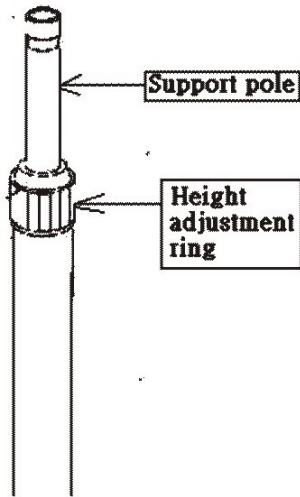
Loosen the height adjustment ring and extend the support pole to your desired height.

Put the base cover over the cross base.

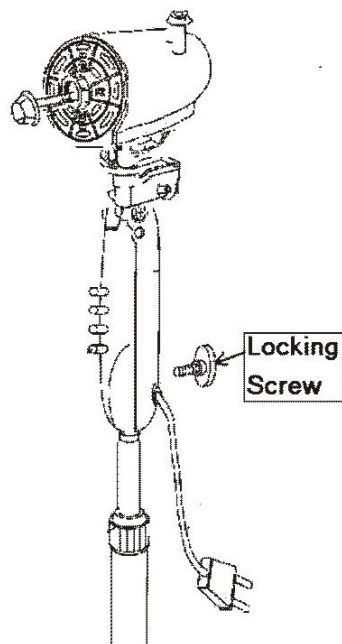


Connect the Main Part to the Stand

Step 1: Loosen the height adjustment ring and extend the support pole to your desired height and then tighten the height adjustment ring.



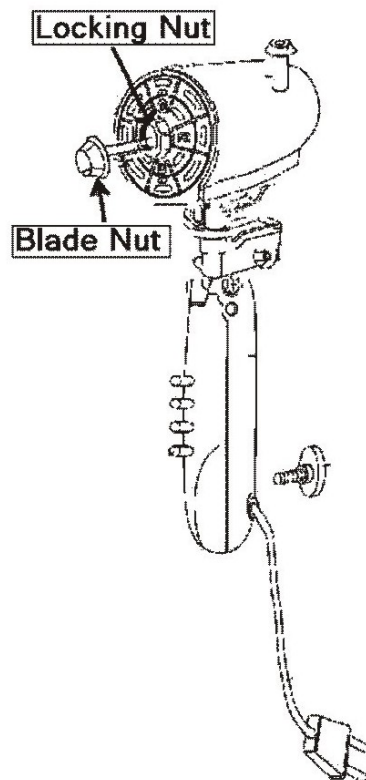
Step 2: Connect the main part to the support pole and then tighten the locking screw



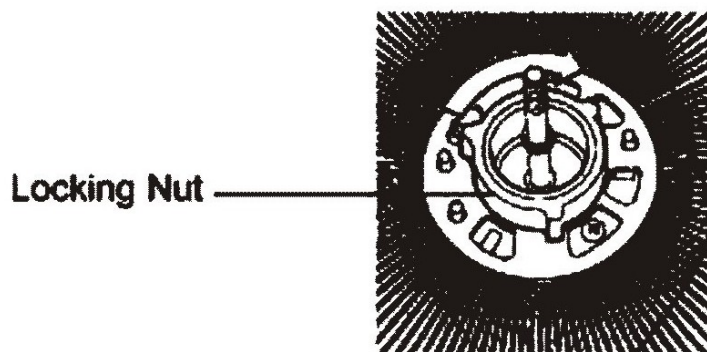
Assemble the Fan Blade and Fan Guard Assembly to the Main Part of the fan

To assemble the safety grille and blade assembly, remove the spinner (by turning it clockwise), then the locking nut (by turning it anticlockwise) from the motor spindle

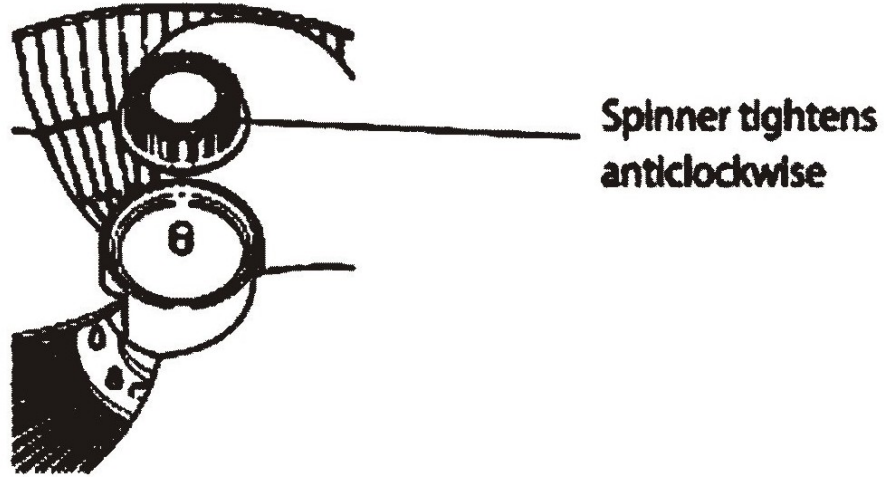
Step 1: Unscrew the Blade Nut and Locking Nut



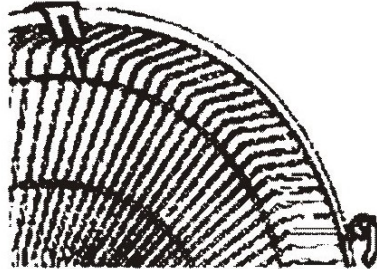
Step 2: Assemble the Fan Guard – back side to the main part of the fan by aligning the small groove of the fan guard to the plastic pole to fix the position. Screw the lock nut to the main part of the fan.



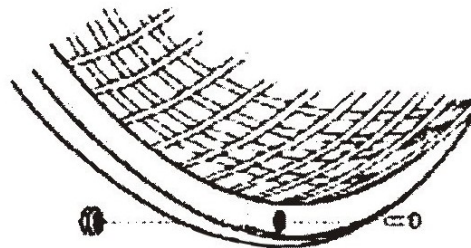
Step 3: Fix the blade into place by tightening the spinner gently in an anticlockwise direction onto the end of the motor spindle. The spinner is self-tightening and hence DO NOT FORCE IT.



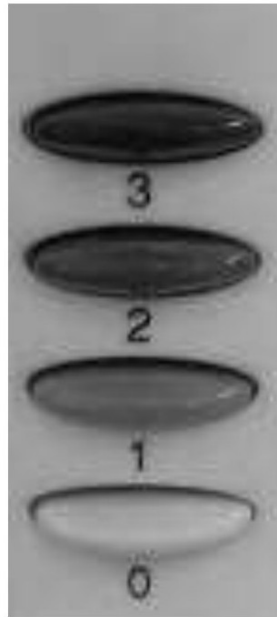
Step 4 Lift out all locking clips on the Fan Guard – Front side.



Step 5: Place the Fan Guard – front side into position and secure it by clipping the locking clip over the outer rim. Screw the screws and nut at the bottom of the fan guards.



Operating Instructions



- Press Button 0 to ensure the fan is in the “Off” mode.
- Plug in the power cord
- Press Button 1 for Low Speed, 2 for Medium Speed and 3 for High Speed.
- Press Button 0 for the “Off” mode
- Turn the timer knob to set the operating time.

Care and Maintenance

1. Always disconnect the cord from the electrical outlet when cleaning your fan.
2. Light accumulated dust may be removed from the fan with a soft cloth or vacuum cleaner using the dusting brush attachment.
3. Wipe the exterior surfaces of the fan occasionally with a cloth moistened (not dripping wet) with a mild soap solution. Dry the case thoroughly with a soft dry cloth before operating the fan.
4. Avoid the use of gasoline, benzine, thinner etc as they may result in damage to the fan.
5. Store the fan in a clean dry place when not in use.



CAUTION! Do not immerse the fan in water or allow water to drip into the interior of the fan housing as this could create a fire or electric shock hazard.



WARNING! Do not attempt to open or repair the fan yourself. Doing so could void the warranty and cause damage or personal injury.

Excelair Pedestal/Desk Fan Warranty

The Excelair pedestal/desk fan is covered by a (1) year Warranty from the date of purchase on manufacturing defects, workmanship or parts. Honeyair Australia offers replacement warranty on all faulty products.

In the instance where the product has failed, the purchaser shall contact **Honeyair Australia** (Details Below) Or contact place of purchase for further instructions.

Proof of purchase must be advised at the time of claim. Proof of Purchase must be produced before warranty replacement is carried out. Failure to produce POP will void the obligations of Honeyair Australia to replace the product.

The benefits of this warranty are that the consumer can purchase this product with the sound knowledge the quality and reliability is supported by the importer and that the importer accepts all responsibility for faulty goods. These benefits are in addition to other rights and remedies of the consumer under a law in relation to the goods or services to which the warranty relates.

Our goods come with guarantees that cannot be excluded under the Australian Consumer Law. You are entitled to a replacement or refund for a major failure and for compensation for any other reasonably foreseeable loss or damage. You are also entitled to have the goods replaced if the goods fail to be of acceptable quality and the failure does not amount to major failure.

For Warranty Claim and information contact:

Honeyair Australia Pty Ltd

78 Mallard Way Cannington WA 6107

Tel: 1300710860

Fax 1300710890

Email: info@ghi.com.au