



Instruction Manual



**Model: E46PFO
46cm Pedestal Fan**

1- GETTING TO KNOW YOUR PEDESTAL FAN

Congratulations on the purchase of your new Excelair Pedestal Fan.

Before first using your new Pedestal Fan, it is most important that you read and follow the instructions in this booklet, even if you feel you are familiar with this type of appliance. Your attention is drawn particularly to the section dealing with **RULES FOR SAFE OPERATION**. Find a safe and convenient place to keep this booklet handy for future reference.

This appliance has been designed to operate from a standard domestic power outlet. It is not intended for industrial or commercial use.

Your Pedestal Fan is safe and easy to use. It has been designed to function quietly and safely under normal circumstance. Your Pedestal Fan is fully portable with a sturdy stand and contemporary design. Its energy efficient blades circulate cool air while using less power than a standard light globe. The heavy duty motor is rated for continuous use to combat long hot summers.

2- RULES FOR SAFE OPERATION

CAUTION: Read and follow all instructions before operating fan. Do not use fan if any parts are damaged or missing

1. Never insert finger or any other objects through the grill guard when fan is in operation
2. Unplug power cord when moving from one location to another
3. Unplug power cord when removing grill for cleaning
4. Be sure fan is on a stable, flat surface when in operation
5. **DO NOT** use fan in window, rain and moisture, as this may create an electrical hazard

CAUTION: Do not alter the fan's assembly in any way

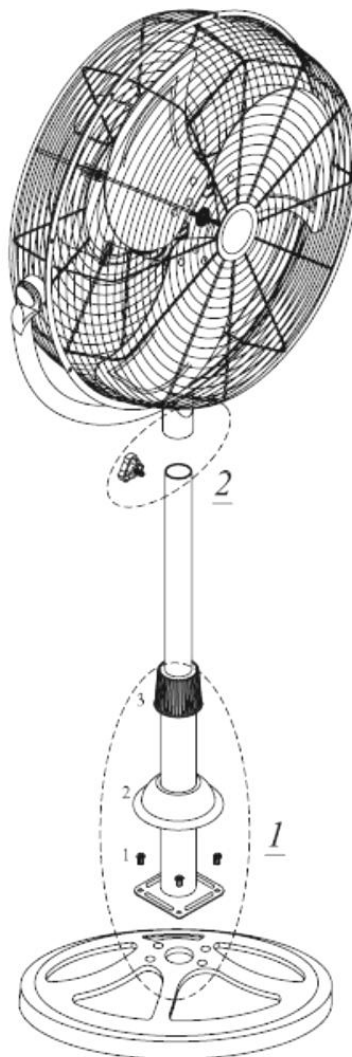
WARNING: BE SURE FRONT AND REAR GRILL SCREWS ARE TIGHTENED BEFORE OPERATION.

3-ASSEMBLY OF YOUR PEDESTAL FAN

COLUMN ASSEMBLY INSTRUCTIONS

1. Use the four screws provided (1) to join the main body to the base. Uninstall connecting plastic tube (3) and install base's cover (2) to hide the screw of base's (1) then twist the plastic tube
2. Install fan trunk on bearing arc (if not installed), then install to the main body tube and insert the tightening screw.

CAUTION: The Knob Must be fully tightened before assembling the FAN HEAD TO THE INNER TUBE



4- OPERATION OF YOUR PEDESTAL FAN

TO ADJUST AIRFLOW UPWARD OR DOWNWARD: Tilt fan head to the desired angle.

Loosen THE POSITION SCREW first and then tighten THE KNOB . Tilt fan head to the desired angle then firmly tighten THE POSITION SCREW first and then tighten THE KNOB.

TO MAKE THE FAN OSCILLATE: Rotate the switch on the back of the fan head.

TO STOP THE FAN OSCILLATE: Rotate the switch on the back of the fan head.

SPEED CONTROL: Rotate THE SWITCH on the back of the fan head to 0, 1, 2 and 3 designates OFF, LOW, MEDIUM and HIGH speed respectively.

5- CARE AND CLEANING

WARNING: Unplug from electrical supply source before cleaning: Use soft damp cloth to clean. Then wipe with a dry cloth.

Do not use a cleaning solution that is harmful to paints or plastics and Do not bend the blades. The motor bearings are permanently sealed and do not require additional lubrication

- Ensure that the fan is switched off from the supply mains before removing the guard.
- If the supply cord is damaged, it must be replaced by the manufacturer or its service agent or a similarly qualified person in order to avoid a hazard
- Please return to the place of purchase if the product is faulty.
- This appliance is not intended for use by persons (including children) with reduced physical, sensory or mental capabilities, or lack of experience and knowledge, unless they have been given instruction concerning use of the appliance by a responsible person.
- Children should be supervised when product is in use, to ensure that they do not play with the appliance.

For all Warranty Claims, please return to place of purchase. If unit is deemed to be faulty, it will be replaced during the 12month warranty period.

Distributed in Australia by:
Honeyair Australia Pty Ltd.

ABN 86 008 764 341

78 Mallard Way, Cannington WA 6107

Phone 1300 710 860 **Fax** 1300 710 890 **Email** info@gbi.com.au