

# Excelsior

CXWB14802 ISLAND

## BBQ RANGEHOOD



### FEATURES

#316 MARINE GRADE  
STAINLESS STEEL

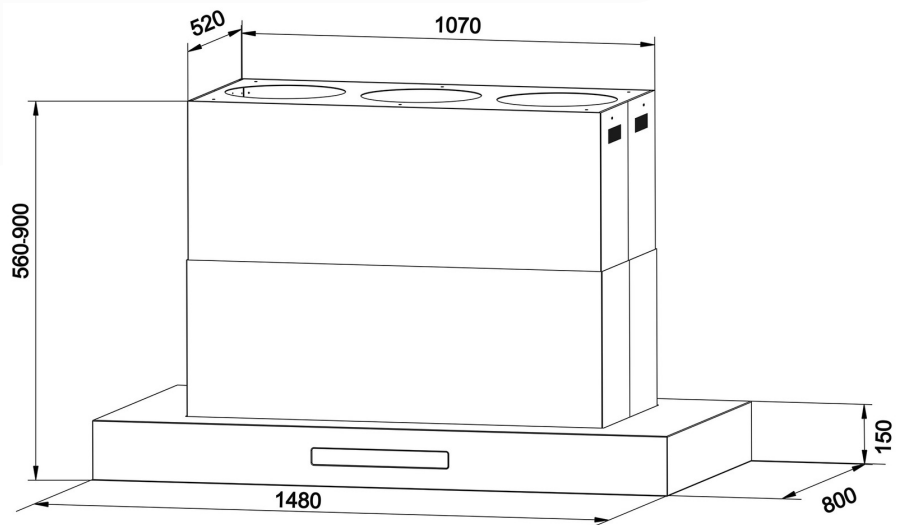
REMOTE CONTROL

TOUCH CONTROL  
PANEL WITH DIGITAL  
DISPLAY, 24 HR CLOCK  
& DELAY OFF TIMER

DISHWASHER SAFE  
#304 STAINLESS STEEL  
REMOVABLE BAFFLE  
FILTERS

2 YEAR WARRANTY

DISTRIBUTED BY GBI SALES PTY LTD  
78 MALLARD WAY, CANNINGTON WA 6107  
PHONE | 1300 710 860  
EMAIL | SALES@GBI.COM.AU



### SPECIFICATIONS

- 1480 x 800mm ROOF MOUNTED RANGE HOOD
- 3 x 238 WATT DOUBLE CHAMBER ULTRA QUIET MOTORS WITH 3 SPEED SETTINGS
- 3900 M3/HR EXTRACTION CAPACITY (GROSS)
- NOISE LEVEL 25- 35 dB (LOW-HIGH) PER MOTOR
- 6 x 1.5 WATT SUPER BRIGHT LED LIGHTS
- 3 x 150mm DIAMETER SEMI RIGID DUCTING