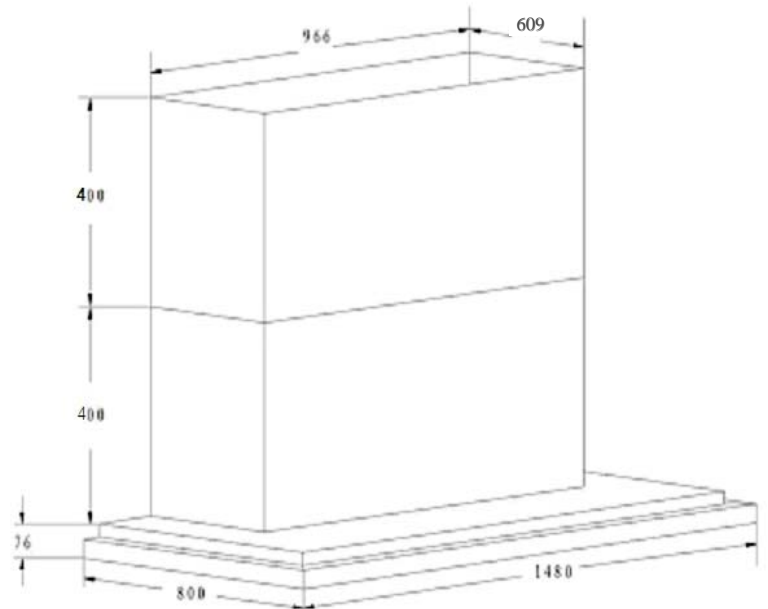


Excelsior *Outdoor Rangehoods*

CXWB1480



Finish	Marine grade 316 stainless steel
Size	1480mmW x 800mmD
Noise (fan)	65db
Motors	Triple Motor
Lighting	6x 1.5 LED
Air Volume Gross	3000m ³
Duct Diameter	150mm x 3
Filters	stainless steel baffle filters
Accessories	Flexible Duct 150mm Supplied



Distributed in Australia by **GBI Sales Pty Ltd**
78 Mallard Way, Cannington WA 6107
Telephone : 08 9478 0466
Fax : 08 9478 0470

Code: CXW B1480