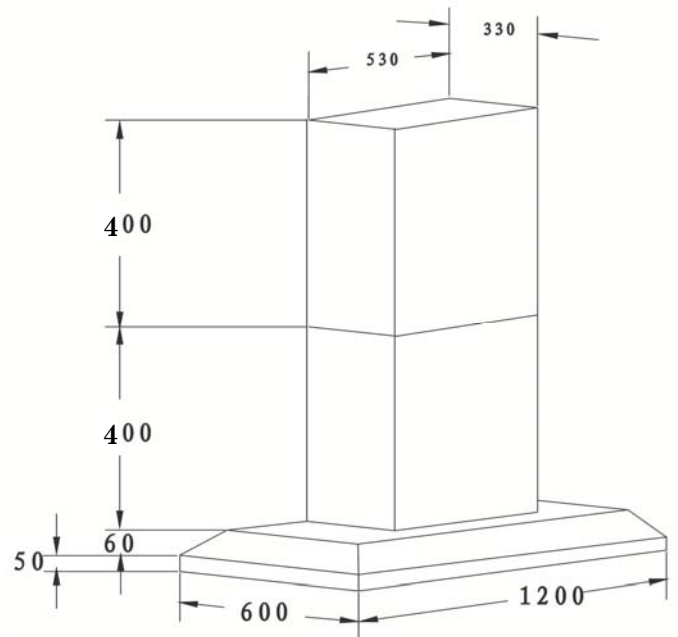


Excelsior *Rangehoods*

CXWB1206



Finish	Marine grade 316 stainless steel
Size	1200mmW x 600mmD
Noise (fan)	65db
Motors	Twin motor
Lighting	4 x 1.5 LED
Air Volume Gross	2000m ³
Duct Diameter	2 X 150mm
Filters	stainless steel baffle filters
Accessories	Flexible Ducts Supplied



Distributed in Australia by **GBI Sales Pty Ltd**
78 Mallard Way, Cannington WA 6107
Telephone : 08 9478 0466
Fax : 08 9478 0470

Code: CXW B1206