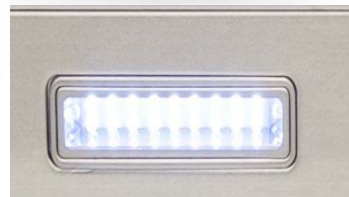
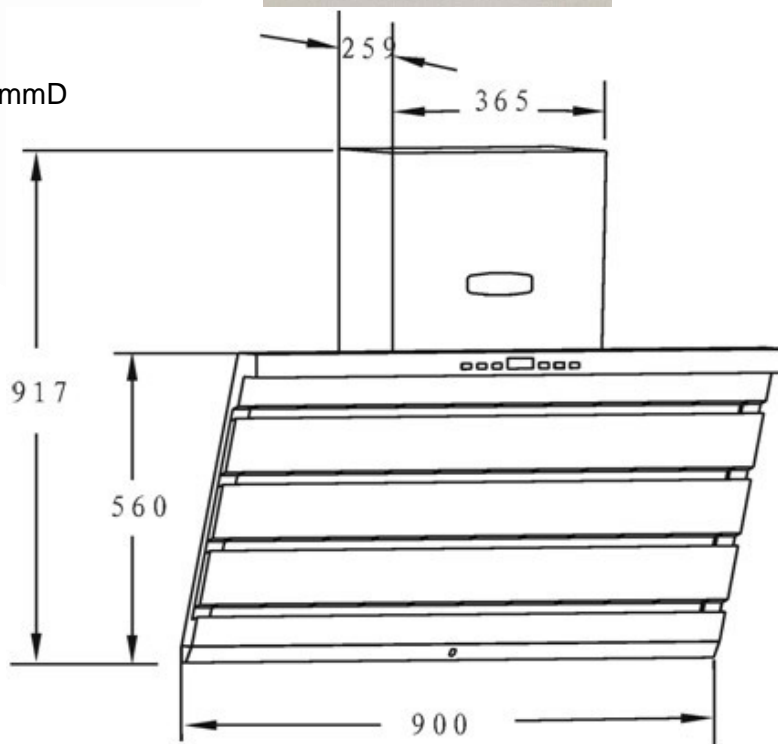


Excelsior *Rangehoods*

CXW 198 109



| | |
|--------------------------|-------------------|
| Finish | stainless steel |
| Size | 900mmW x 480mmD |
| Noise | <65dba |
| Motor Power Input | 168W |
| Lighting | 2 x 1.5 LED |
| Air Volume Gross | 850m ³ |
| Duct Diameter | 150mm |
| Filters | stainless steel |



Distributed in Australia by **GBI Sales Pty Ltd**
78 Mallard Way, Cannington WA 6107
Telephone : 08 9478 0466
Fax : 08 9478 0470

Code: CXW 198 109