

# Excelsior

## 198 Series Rangehood Instruction and Installation Manual



### **IMPORTANT:**

**Read and save these instructions**

### **NOTICE:**

**Installer: Leave this guide with the homeowner**

**Homeowner: Keep this guide for future reference**

# USE, CARE, AND, INSTALLATION GUIDE

Read all instructions before installing and operating this appliance

MODEL: EXCELSIOR 198 SERIES Wall Mounted Rangehoods

## IMPORTANT SAFETY NOTICE

### WARNING

#### Installation

The installation in this manual is intended for qualified installers, service technicians or persons With similar qualified background. DO NOT attempt to install this appliance yourself. injury could result from installing the unit due to lack of appropriate electrical and technical background.

All electrical wiring must be properly installed, insulated and grounded. Overly accumulated in old duct work should be cleaned out or duct work should be replaced if necessary to avoid the possibility of a grease fire. Check all joints on duct work to insure proper connection and all joints should be properly taped.

#### Operations

Read all instructions in this manual before operating the appliance. Save these instructions for future reference.

Always leave safety grills and filters in place. Without these components, Operating blowers could catch on to hair, fingers and loose clothing.

NEVER dispose cigarette ashes, ignitable substances, or any foreign objects into blowers.

NEVER leave cooking unattended. When frying, oil in the pan can easily overheat and catch fire- The risk of self combustion is higher when the oil has been used several times.

#### Cleaning

The saturation of greasy residue in the blower and filters may cause increased inflammability. Keep unit clean and free of grease and residue build-up at all times to prevent possible fires.

Filters must be cleaned periodically and free from accumulation of cooking residue (see cleaning instructions inside). Old and worn filters must be replaced immediately. Do not operate blowers when filters are removed. Never disassemble parts to clean without proper instructions. Disassembly is recommended to be performed by qualified personnel only. Call our service center for removal instructions.

GBI SALES. declines all responsibility in the event of failure to observe the Instructions given here for installation, maintenance and suitable use of the product GBI SALES. further declines all responsibility for injury due to negligence and the warranty of the unit automatically expires due to improper maintenance.

## CONTENTS

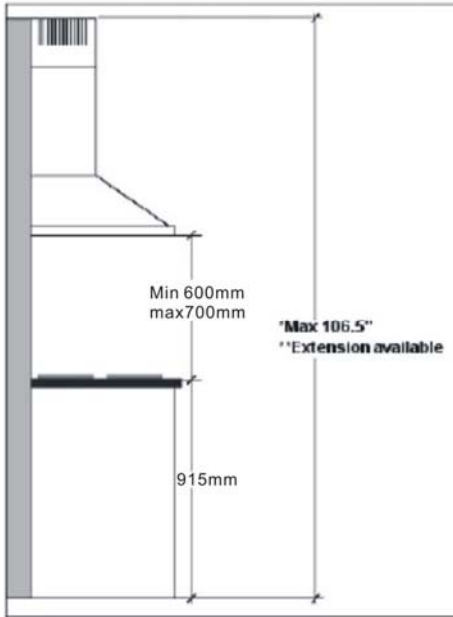
### INSTALLATION

Mount heights & clearance.....	1
Ducting.....	1,2
Mounting the hood.....	3
Duct cover.....	3
EZ Anchors.....	3

### MAINTENANCE

Cleaning.....	4
Lights replacement.....	4

**MOUNT HEIGHTS & CLEARANCE**



Minimum mount height between range top to hood bottom should be no less than 600mm from the cooking surface.

Maximum mount height should be no higher than 700mm

It is important to install the hood at the proper mounting height. hoods mounted too low could result in heat damage and fire hazard; while hoods mounted too high will be hard to reach and will lose its performance and efficiency.

If available, also refer range manufacturer's height clearance requirements and recommended hood mounting height above range.

**Minimum Duct Size:**  
Round 150 mm minimum

A minimum of 150mm round duct must be used to maintain maximum airflow efficiency.

Flexible ducts are provided for convenience, always use rigid type metal ducts if available to maximizing airflow.

Also use calculation (on right) to compute total available duct run when using elbows, transitions and caps.

ALWAYS, when possible, reduce the number or transitions and turns. if long duct run is required, increase duct size from 150mm to 160mm. If a reducer is used, install a long reducer instead of a pancake reducer. Reduce duct size as far away from opening as possible.

If turns or transitions are required; Install as far away from opening and as far apart, between 2, as possible.

**Duct Run Calculation:**  
Maximum run

6" or 3-1/4 x 10" duct	100 FT
<b>Deduct:</b>	
each 90 Elbow used	15 FT
each 45 elbow used	9 FT
each 6" to 3/14 x 10"	
transition used	1 FT
each 3/14 x 10" to 6"	
transition used	5 FT
Side Wall Cap w/ damper	30 FT
Roof Cap	30 FT

e.g.- 1 roof cap, 2x90 elbows, 1 45 elbow used;  
=30' + 30' + 9' =69' used, 31' available for straight duct runs.

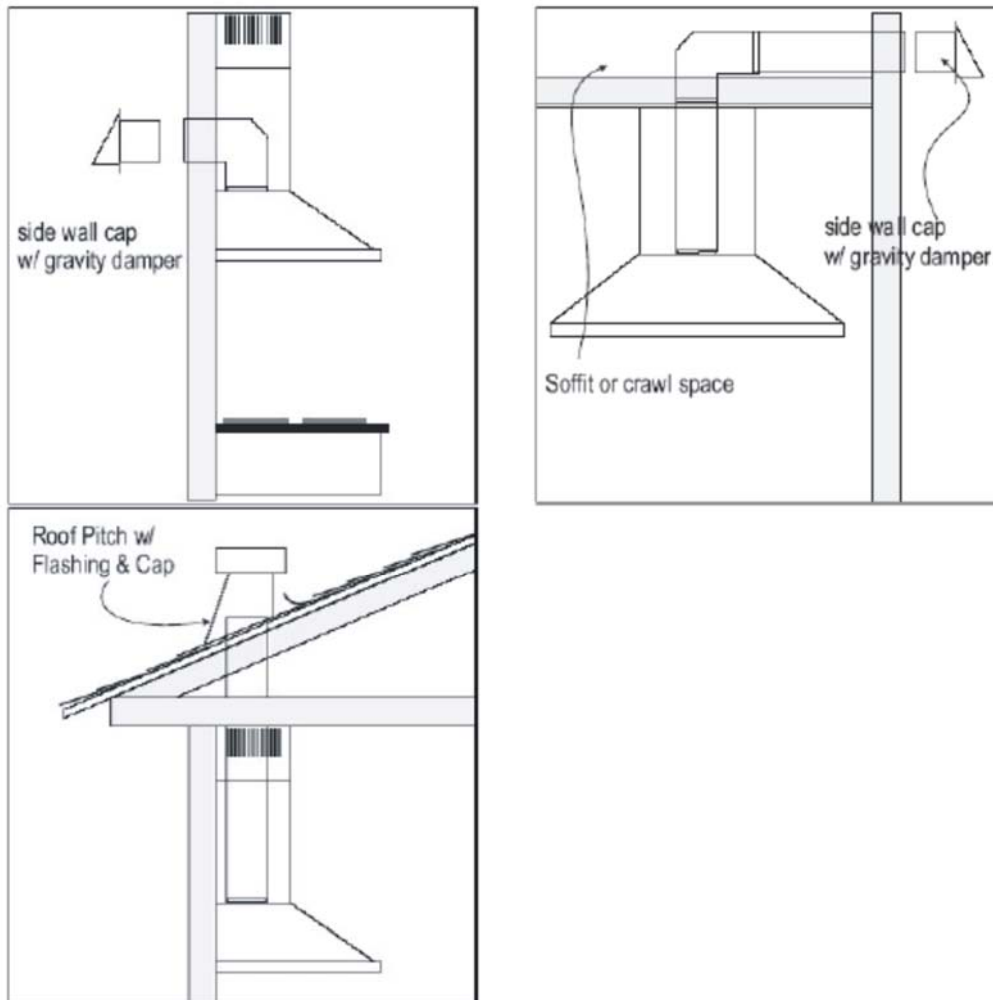
## DUCTING

**WARNING: FIRE**

NEVER exhaust air or terminate duct work into spaces between walls, crawl spaces, ceiling, attics or garages. All exhaust must be ducted to the outside.

Use Metal ductwork only.

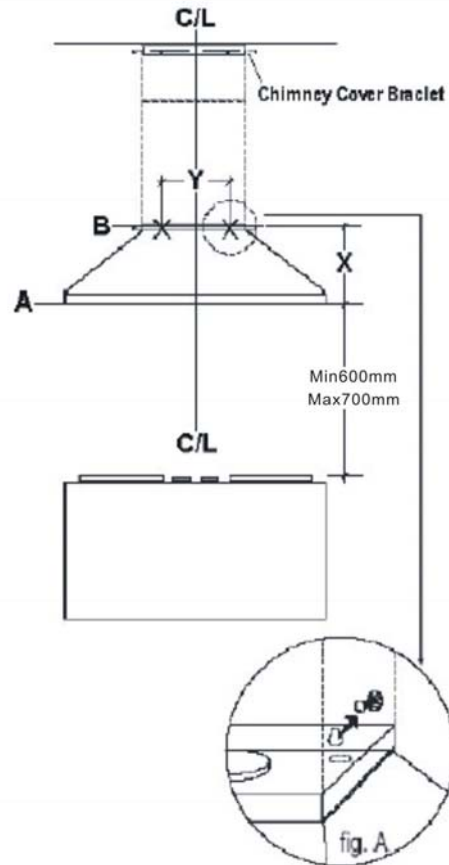
Fasten all connections with sheet metal screws and tape all joints w/ certified Silver Tape or Duct Tape.

**Some Ducting Options:**

INSTALLATION

Mounting the Range Hood

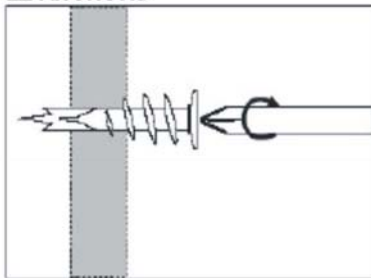
1. Measure from range top to hood bottom (600mm min) level and mark line A
2. Plum and mark center line "C / L"
3. Mark mounting height line B, X from line a. ("X" measure between bottom of hood to mounting hole)
4. Mark mounting spread from C / L "Y" (measure between two mounting holds).
5. Fasten E-Z Anchors to wall (see below) as marked.
6. Fasten screws provided onto ez anchors, do not fasten screws all the way.
7. Hang hood onto screws and hand tighten (fig A).



Mounting the Duct Cover

1. Center and attach duct cover mount bracket on wall below ceiling or soffit.
2. Fasten telescopic duct covers onto hood and bracket

EZ ANCHORS



Tap EZ anchor tip into marked drywall locations, turn with screwdriver until seated flush.

*Note: Whenever possible, the hood should be secured to wall studs.  
Use EZ anchors provided only on hollow drywall applications (minimum drywall thickness 1/2"). If a stud or wood surface is present, fasten anchors with screws directly into stud or plywood. For all other wall types (concrete, brick, tiles etc.), use appropriate anchors for mounting.*



## CLEANING

### Surface Maintenance:

Clean periodically with hot soapy water and clean cotton cloth. Do not use corrosive or abrasive detergent (e.g. comet powder scrub, EZ-Off oven cleaner), or steel wool/scoring pads which will scratch and damage surface. For heavier soil use liquid degreaser such as 'Formula 409' or 'Fantastic' brand cleaner. After cleaning, you may use non abrasive stainless steel polish/ cleaners such as 3M or ZEP, to polish and buff out the stainless luster and grain. Always scrub lightly, with clean cotton cloth, and with the grain.

### Aluminum Grease / Stainless Steel Filters:

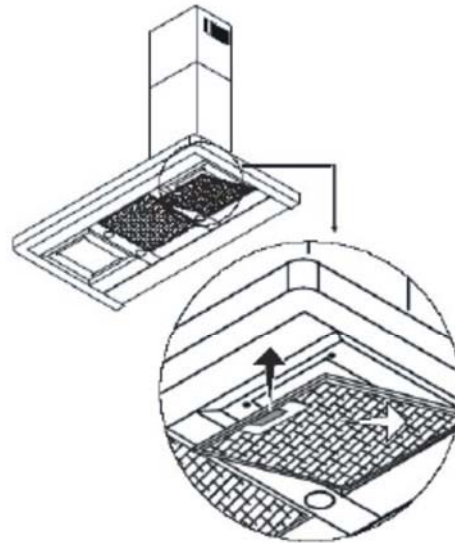
The Metal Filters fitted by the factory are intended to filter out residue and grease from cooking. It need not be replaced on a regular basis but are required to be kept clean.

Filters should be cleaned after every 30 hours of use.

Remove and clean by hand or in dishwasher.

Spray 'Formula 409' or equivalent degreasing detergent and leave to soak if heavily soiled.

Dry filters and re-install before using hood.



### Replacing Filters:

Should filters wear out due to age and prolonged use, replace with following part number:

Product ID: ACS-AF

Description: Aluminum Grease / Stainless Steel Filter

Available at <http://www.euro-kitchen.com>

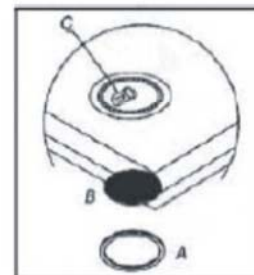
*Note: Also replace damaged filter that has punctured or broken mesh, bent or broken frame.*

## LIGHTS

### Replacing Light Bulbs:

**CAUTION: Light bulb becomes extremely hot when turned on. DO NOT touch bulb until switched off and cooled. Touching hot bulbs could cause serious burns.**

Bulb "C" replacement is accomplished by removing the glass-blocking ring "A" with a sharp instrument such as a tooth - pick – steel instruments will scratch the surfaces. Take caution that the glass "B" does not fall out and break. Wipe both sides of the glass while it is out.



## **WARRANTY TERMS AND CONDITIONS**

The Excelsior Range Hood is covered by a 24 month warranty for parts failure. Warranty does not cover installation faults. If the range hood is not installed by a qualified installer, the warranty may be revoked.

This warranty covers repair and replacement of spare parts excluding light bulbs for a period of 24 months from date of purchase.

All receipts must be presented when claiming warranty.

**All warranty claims to The GBI Group Pty. Ltd.**

78 Mallard Way, Cannington WA 6107

Telephone (08) 9478 0400 Fax (08) 9478 0478

EMAIL [gbihold@gbi.com.au](mailto:gbihold@gbi.com.au)