



Instruction Manual



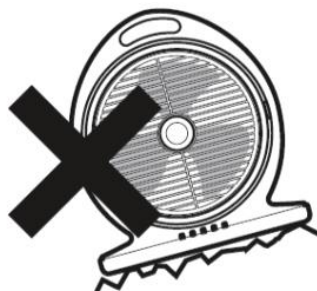
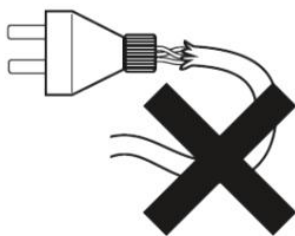
Model: EBF 36
36cm Box Fan

KEEP THESE INSTRUCTIONS IN A SAFE PLACE
THIS APPLIANCE IS FOR DOMESTIC USE ONLY

SAFETY INSTRUCTIONS



Read All Instructions before operating this appliance

- This appliance is not intended for use by people with lack of knowledge or experience with the product.
- Children should be supervised when the product is in use.
- If the supply cord is damaged, it must be replaced by the manufacturer.
- DO NOT insert fingers or foreign objects into ventilation or exhaust opening, as it may cause an electric shock or damage to the appliance.
- DO NOT block or tamper with the fan while in operation
- DO NOT operate this appliance with a damaged cord or plug, or after the appliance malfunctions, has been dropped or damaged. At the first sign of any damage take the appliance to a repair agent.
- DO NOT attempt to carry out any form of repairs to the appliance or power cord.



- ALWAYS operate the fan on a stable, flat, level surface when operating to avoid the chance of the fan overturning. Locate the power cord so the fan or other objects are not resting on it. Do not run power cord under carpeting, floor rugs, runners or similar. Arrange power cord away from room traffic and place where it will not be tripped over.
- ALWAYS ensure the appliance is connected to an earthed power point and the correct power is being used (230-240V, 50Hz, 70-75W)
- ALWAYS vacuum dust away from filter and louvre surfaces regularly.
- ALWAYS unplug the fan when not in use. Turn off the power switch and unplug power cord before servicing or moving the cooler.
- ALWAYS disconnect the fan by turning the fan by turning to the off position, then remove the plug. Pull only by the plug, do not pull on the cord when disconnecting the fan.
- ALWAYS keep the fan away from combustible materials.

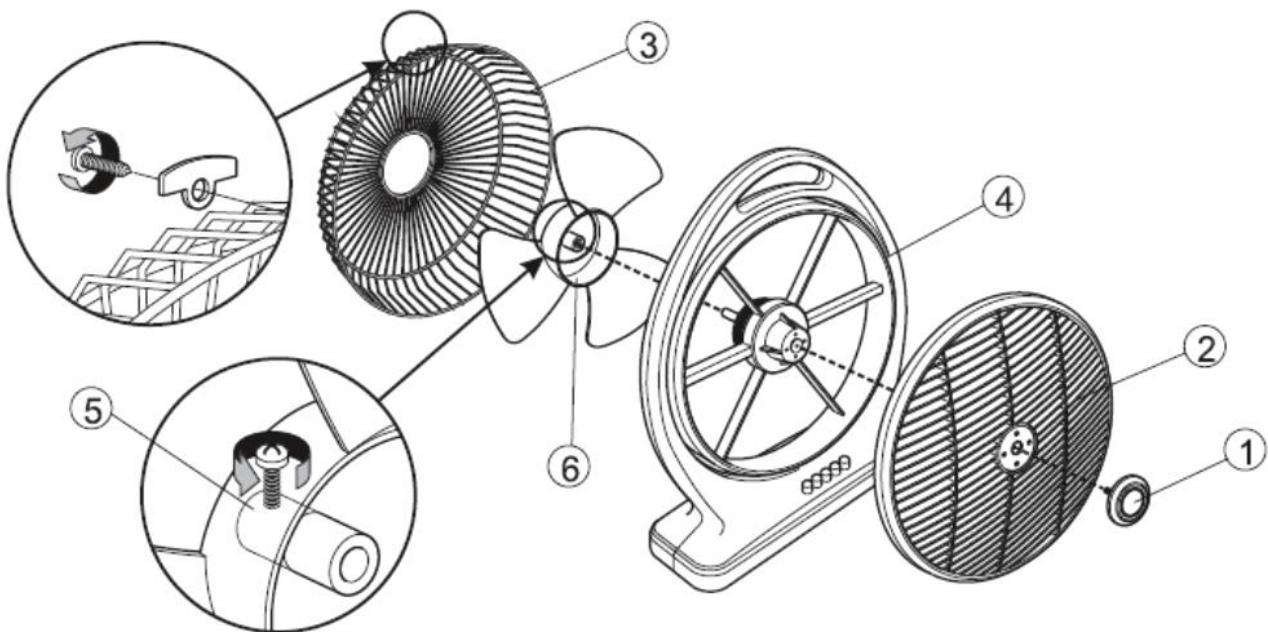
OPERATING INSTRUCTIONS

1. Insert Plug into a 230-240 Volt, 10 Amp power point.
2. The Control buttons are marked as follows-
 - 0 = OFF
 - 1 = Low Fan Speed
 - 2 = Medium Fan Speed
 - 3 = High Fan Speed
 -  = Louvre Rotation
3. The direction of air flow can be controlled by tilting the fan in the fan housing.
4. To operate the fan, press one of the buttons marked 1, 2 or 3. Then if required press the button marked  to start the louvre rotating.
5. To stop the fan, press the 0 button. This will return all controls Off.

CARE & MAINTENANCE

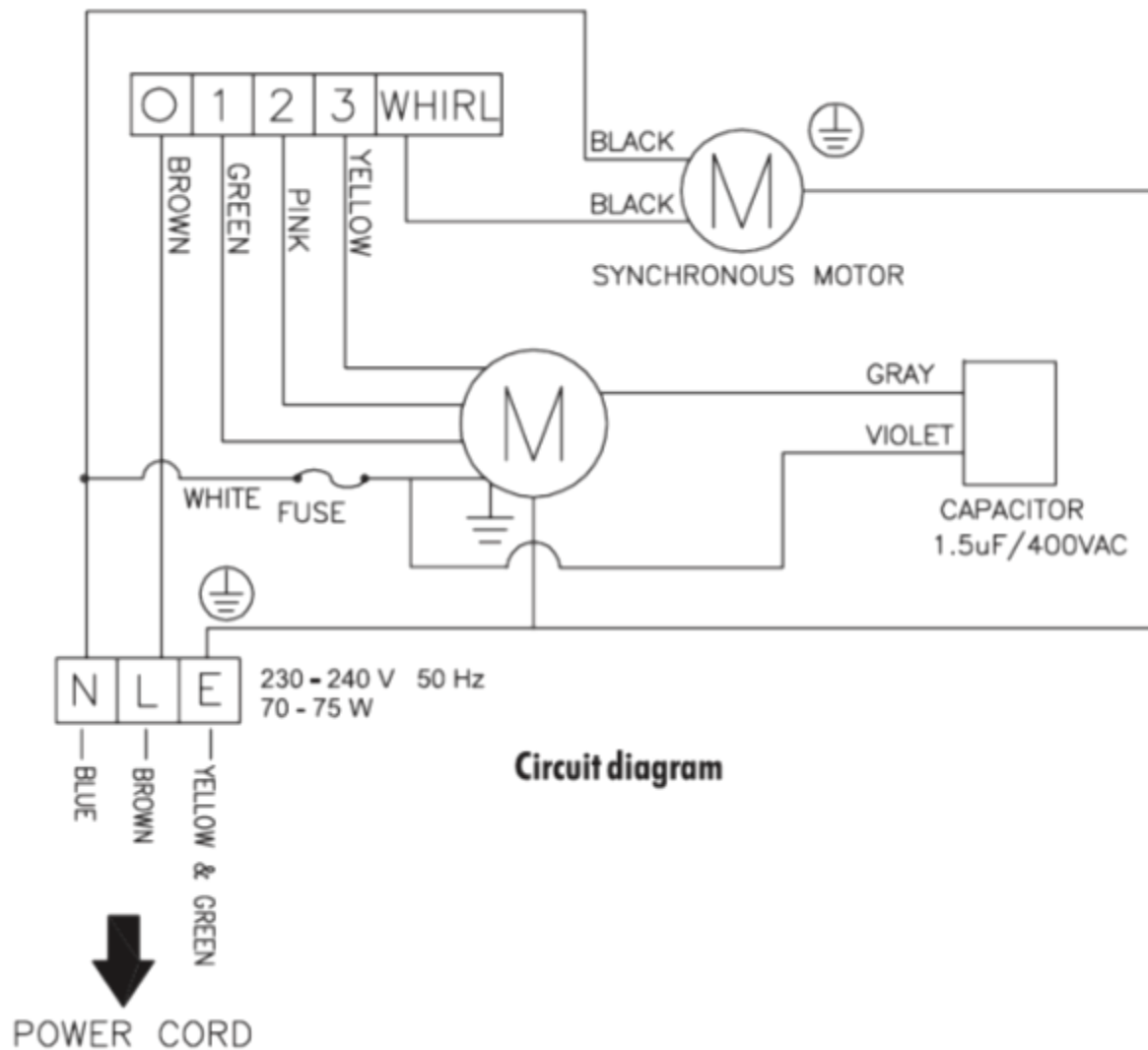
1. **Disassembly of fan**
 - Turn off the Power supply and unplug your fan.
 - Turn the louvre hub (1) anti-clockwise while holding the louvre (2) firmly. You will now be able to remove the hub.
 - Using a Phillips Head screw driver, remove the four screws which secure the louvre.
 - Lift the louvre clear of the appliance

- Turn your fan around. Note how the three screws and special purpose clamps hold the rear guard (3) onto the assembly.
- Using your screwdriver, remove the three screws and clamps.
- The rear guard can now be removed from the fan housing (4)
- Loosen the screw in the retaining collar (5) which holds the fan in position.
- Slide the collar off the drive shaft and remove the fan blade (6)



2. Cleaning the Fan

- Use only clean soapy water and a soft cloth
- Do not use harsh solvents or other cleaning agents as they may damage or discolour the fan.
- Using a soft cloth to dry the fan parts.
- When clean and dry place all the parts back together



WARRANTY

For all warranty claims please return to place of purchase. If unit is deemed to be faulty it will be replaced during the 12 month warranty period.

Distributed in Australia by:

GBI Sales Pty Ltd.

78 Mallard Way, Cannington WA 6107

Phone 1300 710 860 | Fax 1300 710 890

Email: info@gbi.com.au