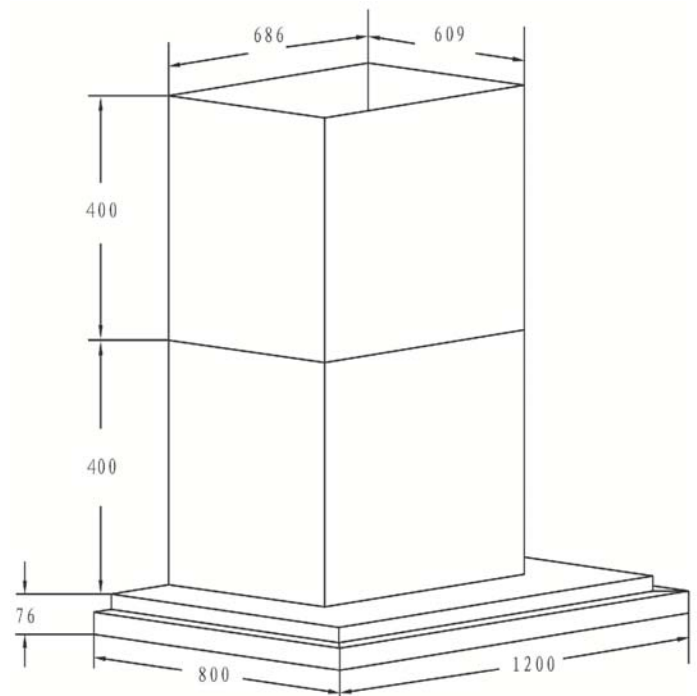


# Excelsior *Rangehoods*

CXWB1208



<b>Finish</b>	Marine grade 316 stainless steel
<b>Size</b>	1200mmW x 800mmD
<b>Noise (fan)</b>	65db
<b>Motors</b>	Twin motor
<b>Lighting</b>	4 x 1.5 LED
<b>Air Volume Gross</b>	2000m <sup>3</sup>
<b>Duct Diameter</b>	2 x 150mm
<b>Filters</b>	stainless steel baffle filters
<b>Accessories</b>	Flexible Duct 150mm Supplied



Distributed in Australia by **GBI Sales Pty Ltd**  
78 Mallard Way, Cannington WA 6107  
Telephone : 08 9478 0466  
Fax : 08 9478 0470

Code: CXW B1208